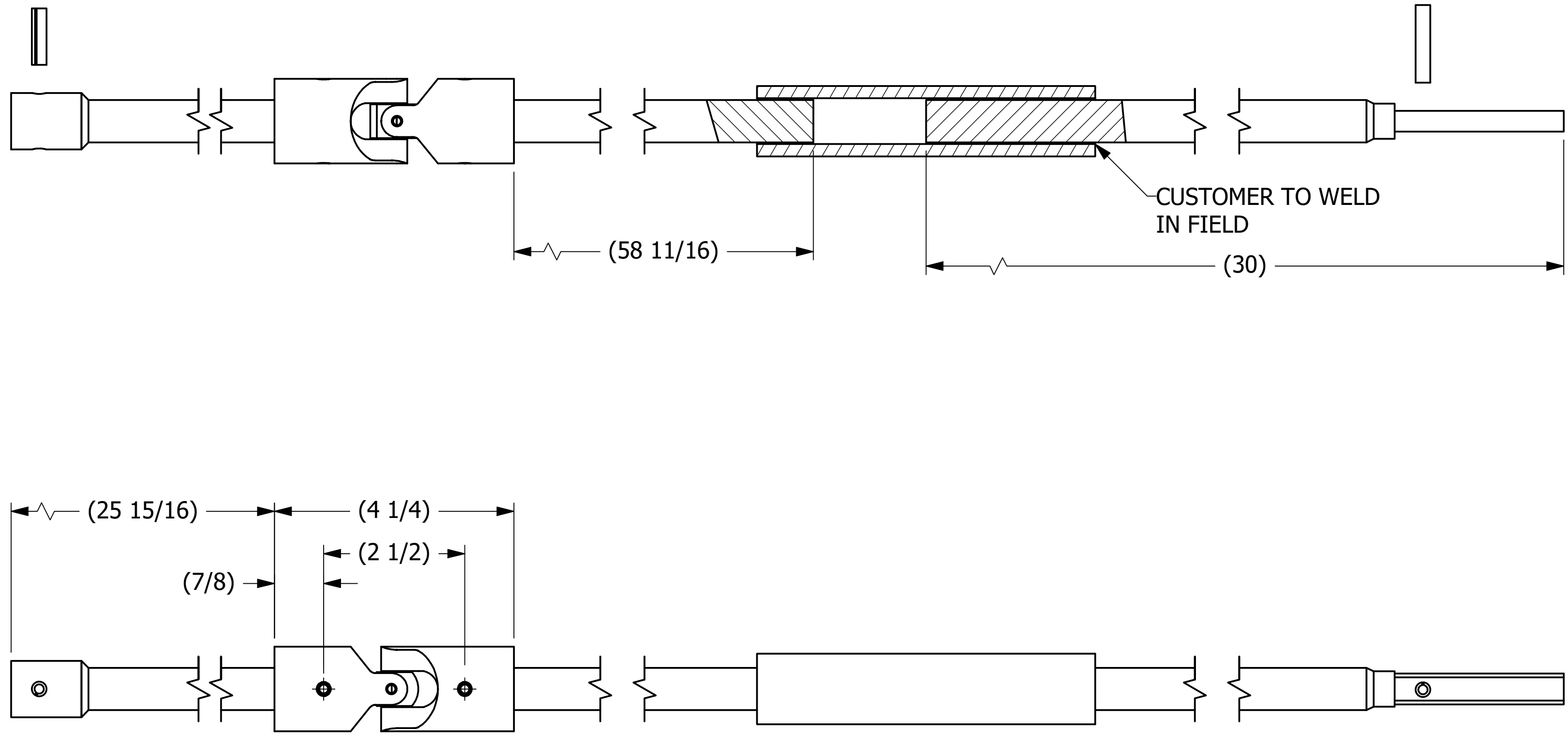


SALES DRAWING SALES DRAWING SALES DRAWING SALES DRAWING SALES DRAWING

SALES DRAWING SALES DRAWING SALES DRAWING SALES DRAWING SALES DRAWING



H	WEB	12/20/23	202312201111	WEB
REV	BY	DATE	REF #	PUB

UNLESS OTHERWISE SPECIFIED DIMENSIONAL TOLERANCES FRACTIONAL: $\pm 1/16$ X.XX: $\pm .03$ X.XXX: $\pm .015$ ANGLE: $\pm 1^\circ$ DEBURR ALL SHARP EDGES. ALL MACHINED SURFACES TO HAVE A 125 RMS FINISH UNLESS NOTED OTHERWISE.	DRAWN BY: ACC
	CHECKED BY:
	PROTOTYPE DATE: 3/6/2007
	APPROVED FOR PRODUCTION BY: ACC
	PRODUCTION DATE: 3/22/2007
	SIZE: C
	DRAWING #: 23265

<b>SALCO PRODUCTS, INC.</b>		
PART NAME: VALVE HANDLE EXTENSION ASSEMBLY		
MATERIAL: CARBON STEEL		
PROJECT #: 060823	SHEET #: 1 OF 1	SCALE: 5/8
PART #: WBV3CSH03A		

